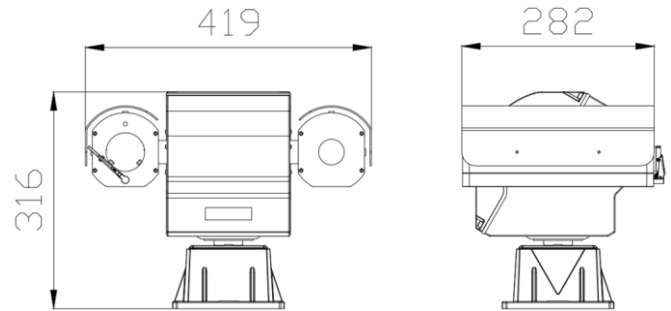






Network	
Ethernet	RJ-45 (10/100Base-T)
Protocols	IPv4/IPv6 ,HTTP,RTSP/RTP/RTCP, TCP/UDP, DHCP, DNS, PPPOE, SMTP, SIP ,802.1x
Interoperability	ONVIF, CGI, SDK
Streaming Method	Unicast
Max. User Access	10 Users
Edge Storage	Local PC for instant recording Micro SD card 128GB
Web Viewer	<IE11, Chrome, Firefox
Web Language	English, Chinese, Polish, Italian, Portuguese, Spanish. Russian, French, Czech, Hungarian
Interface	
Ethernet	2 Ethernet (10/100 Base-T) RJ-45 Connector
Audio Interface	2ch Audio In,2ch Audio Out
Alarm	9ch Alarm In,4ch Alarm Out
RS485	Support
BNC Output	Support
Reset Button	Support (Built-in)
General	
Power Supply	DC36V
Power Consumption	Max 80 W
Working Temperature	-40°C~60°C (-40°F~140°F)
Storage Conditions	0 ~ 90% RH
Certifications	CE /FCC
Ingress Protection	IP66
Casing	Metal
Dimensions	282×419×316mm (11.1 × 16.5 × 12.44 inch)
Net Weight	16.5Kg (Contains 25 mm lens) (36.8 lb)

## Dimensions (mm)



## Accessories

Optional: **N/A**

