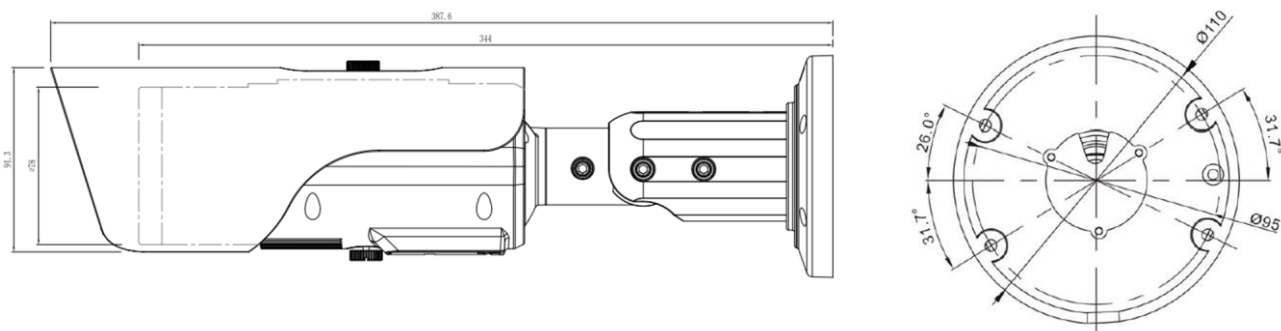


Dimensions (mm)



Accessories

Optional:



SN-CBK627D
Pole Mount



SN-CBK649B
Junction Box

