

AX-100/200TFR

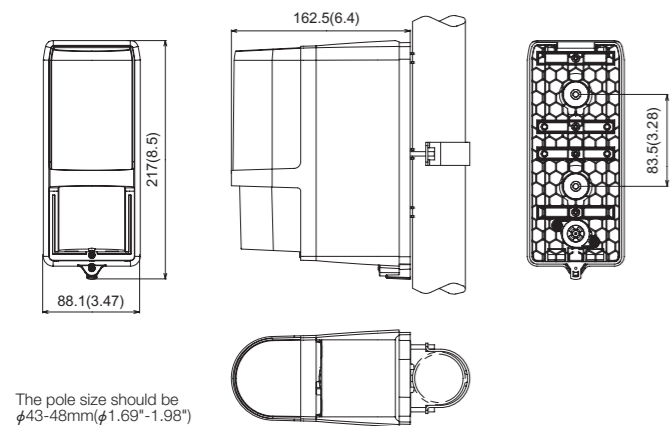


SPECIFICATIONS

Model	AX-100TFR	AX-200TFR
Range	30m (100ft.)	60m(200ft.)
Maximum arrival distance	265m (870ft.)	530m (1,740ft.)
Detection method	Infrared beam interruption detection	
Beam frequency selection	4 channel	
Interruption period	Variable between 50, 100, 250, 500msec (4 steps)	
Power Source	3.6V 13.0Ah : LSH20 lithium batteries manufactured by SAFT(not included) Transmitter : 2 units Receiver : 2 units	
Current draw	620μA T:300μA + R:320μA (at 25°C,3.6VDC)	810μA T:490μA + R:320μA (at 25°C,3.6VDC)
*Battery life	Transmitter Receiver 5 years	3 years 5 years
Output	Alarm output Form C-Solid State Switch : 3.6 VDC, 0.01A Alarm period 2 sec (± 1) nominal D.Q. output Form A/B-Solid State Switch : 3.6 VDC, 0.01A Low battery output Form A/B-Solid State Switch : 3.6 VDC, 0.01A (Transmitter & Receiver) Tamper output for Front cover Form C : 3.6VDC, 0.01A activates when cover removed. (Receiver only) Tamper output for Back box Form C : 3.6VDC, 0.01A activates when either back box or chassis is removed from the installment.	
Indicator	Alarm Indicator (Receiver) (1) Light on - IR Beam not received. (2) Flickering Light - IR Beams not received sufficiently. (3) Light off - IR Beams received. Power (Transmitter) Power ON : ON, Power OFF : OFF Low battery Voltage Reduction : flicker	
Operating temperature	-20°C ~ +60°C(-4°F ~ +140°F)	
Operating ambient humidity	95%(Max.)	
Alignment angle	± 90° Horizontal, ± 5° Vertical	
Mounting	Indoor/Outdoor, Wall/Pole/Tower mounting (Optional main unit mounting brackets are required, when the units mount in the tower.)	
Weight	1600g (56.5oz) (Total weight of transmitter + receiver,excluding accessories)	
International protection	IP55	

Specifications and design are subject to change without prior notice.
* The value is based on the condition that it is used within the ambient temperature range of 20 to 25°C.

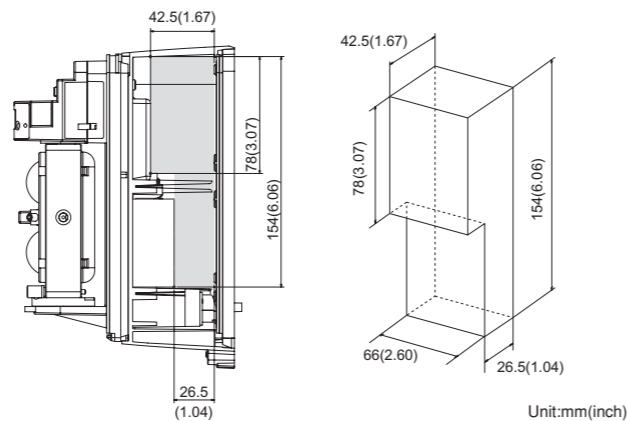
DIMENSIONS



The pole size should be
φ43-48mm(φ1.69"-1.98")

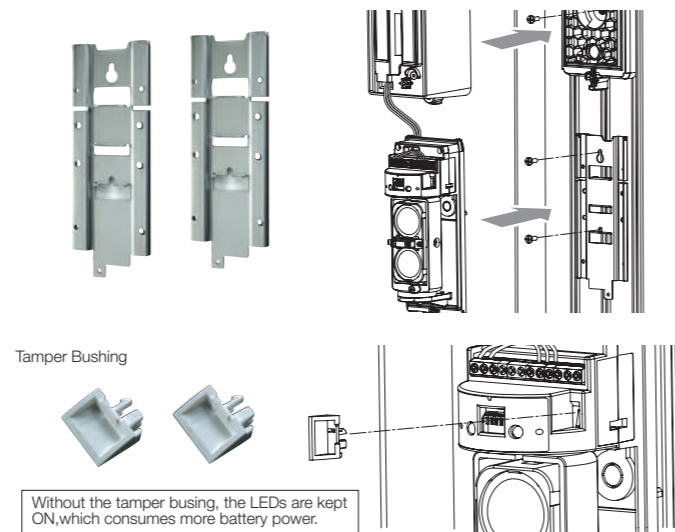
SPACIOUS BACK BOX

The following figure shows the dimensions of the wireless transmitter installation space in the back box. Note that transmitters with dimensions greater than those are not applicable.



OPTIONS

MP-4 : Main unit mounting bracket set (for tower mounting)
Main unit mounting bracket



NOTE:
These units are designed to detect an intruder and activate an alarm control panel. Being only a part of a complete system, we cannot accept responsibility for any damages or other consequences resulting from an intrusion.These products conform to the EMC Directive 2004/108/EC.



OPTEX CO., LTD. (ISO 9001 Certified / ISO14001 Certified)
5-8-12 Ogino, Otsu, Shiga, 520-0101 Japan
TEL +81(0)77 579 8670 FAX +81(0)77 579 8190

OPTEX INCORPORATED (USA) <http://www.optexamerica.com/>
OPTEX (EUROPE) LTD. (UK) <http://www.optex-europe.com/>
(ISO9001 Certified)

OPTEX SECURITY SAS (FRANCE) <http://www.optex-security.com/>
OPTEX KOREA CO., LTD. (KOREA) <http://www.optexkorea.com/>
OPTEX SECURITY Sp. z o.o. (POLAND) <http://www.optex.com.pl/>
OPTEX (DONGGUAN) CO., LTD. <http://www.optexchina.com/>
Shenzhen office (CHINA)

No. 75116-00-15747-0904

**Save Time,
Save Energy.
"GO WIRELESS"**

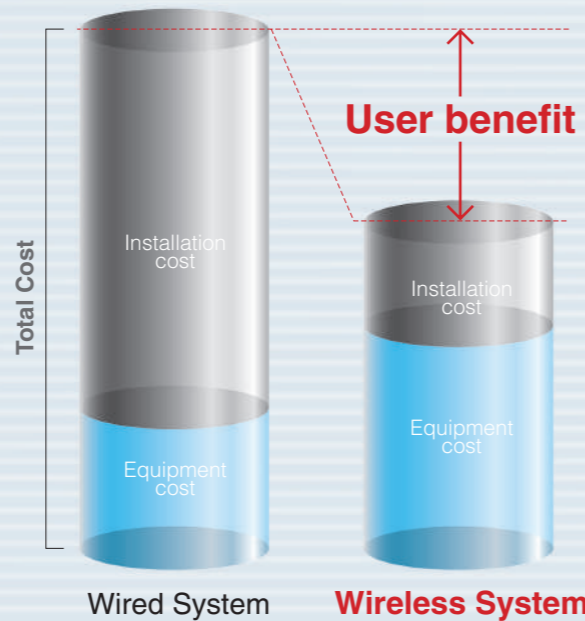




The AX-100/200TFR is a **REVOLUTION** in the perimeter security industry, offering a significant cost saving alternative to a traditional hardwired system.

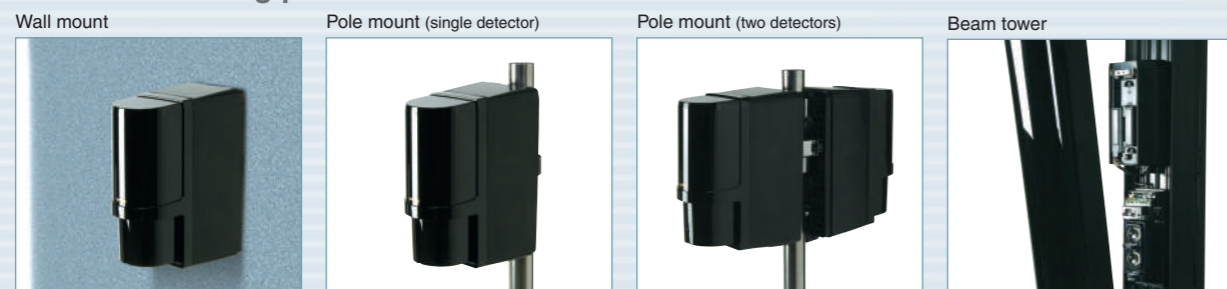
Advantage of Wireless Photoelectric Detector

1 Low installation costs



- 2 Quick & easy installation
- 3 Flexible location
- 4 Wireless stylish design
- 5 Free from lightning damage
- 6 **Compatible with numerous wireless transmitters**

Various mounting patterns



Optional bracket(MP-4) required

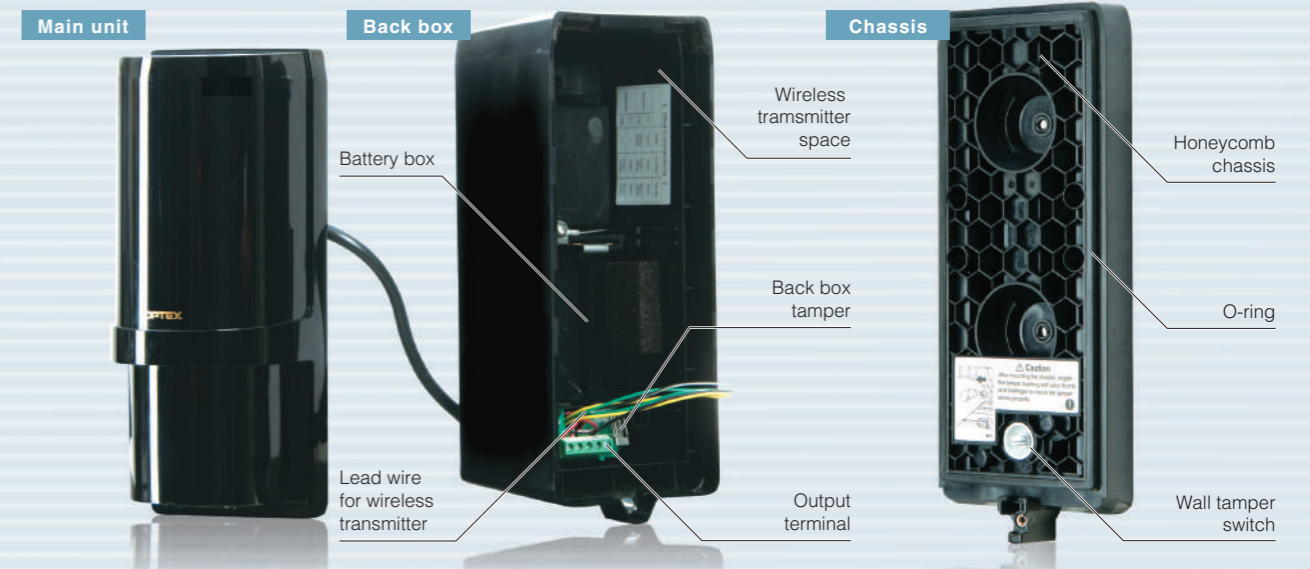
New features

Long battery life

- AX-100TFR(30m) : Approx. **5 years**
- AX-200TFR(60m) : Approx. **3 years**

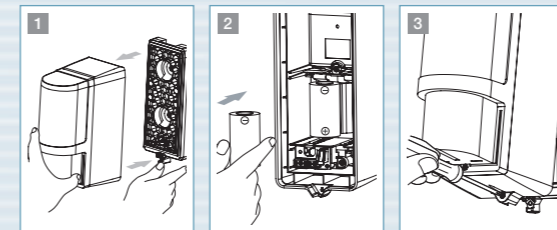
*Use four LSH20 (3.6V, 13Ah) batteries manufactured by SAFT(not included).
**Battery life of AX-200TFR receiver is approximately 5 years.

Multi functional back box



Easy battery replacement

It allows you to easily replace the batteries without opening the front cover. Not necessary to do the optical alignment.



Triple tamper functions

Form C output activates when either cover or back box as well as chassis is removed.



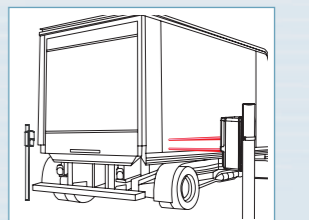
Low battery output and LED

The unit automatically outputs when the battery power becomes low.
*To monitor the low battery signal, another wireless transmitter is required.
Low battery LED will flicker when a front cover is removed.



Intermittent output function

Alarm Signals are sent periodically to avoid missed alarm while the beam is broken. Its function is effective for wireless systems which do not recognize "Restore" status.



Battery saving timer

Alarm output activation are limited by a timer to 2 minutes. Even if there are continuous alarm events, the alarm output operates only once in the timer period. It prolongs the battery life of a wireless transmitter.

Basic performance

- 99% Beam blocking stability
- 4 selectable beam frequencies
- D.Q.circuit (enviromental disqualification)
- N.C./N.O. output selection switch
- A.G.C. circuit
- International protection IP55
- Beam interruption adjustment function
- High grade aspherical lens
- Easy angle adjustment function