

## RC001-1D single-slot chassis

RC001-1D is a single-slot chassis designed for service modules that take up 2 slots in RC002-16. It is applicable for telecom carrier and important enterprise user in the field of finance, electric power, petroleum industry, and etc. To provide high service capacity, some of Raisecom's modular devices, including Ethernet to 4/8E1 interface converters, PDH multiplexers providing 4/8 E1 channels, and multi-service multiplexers providing 4/8/16 plus 1 Ethernet

service, occupies 2 slots in RC002-16. Fixed in RC001-1D, these modular devices become stand-alone equipments, and can be either placed on table or mounted on wall or rack with accessories. The employment of power supply connector depends on user's need. Except for traditional connector for AC or DC power supply, an option of connector for wide-range power supply is provided.



RC001-1D Front Panel

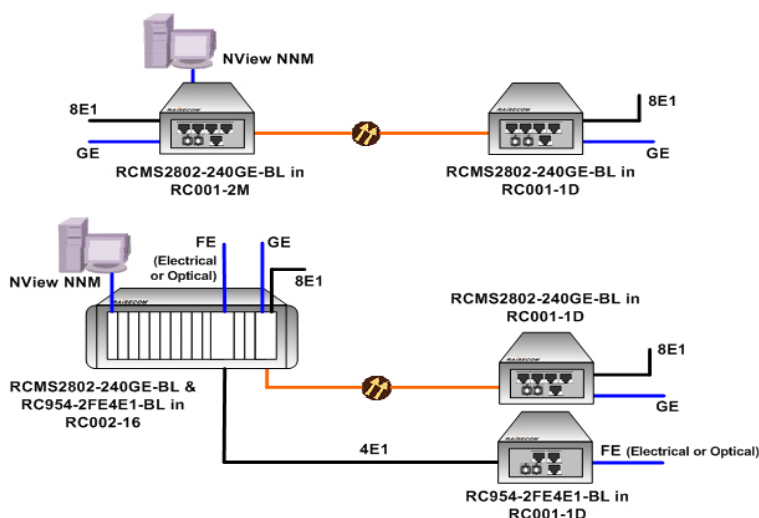
### Feature

<b>Power Supply Connector</b>	AC power supply connector for AC power supply or DC power supply connector for DC power supply or WP power supply connector adapted to the factual power supply (AC or DC) automatically
<b>Power Protection</b>	overcurrent protection
<b>Slot Number</b>	1 slot, with the width of 2 slot of RC002-16

### Ordering Information

<b>RC001-1D-AC</b>	single-slot chassis, with a connector for AC power supply
<b>RC001-1D-DC</b>	single-slot chassis, with a connector for DC power supply
<b>RC001-1D-WP</b>	single-slot chassis, with a connector automatically adapted to the factual power supply (AC or DC)
<b>Rack-Mount Tray</b>	accessory for fixing RC001-1D on to 19-inch rack
<b>Rack-Mount Angle</b>	accessory for fixing RC001-1D on to 19-inch rack
<b>Wall-Mount Angle</b>	accessory for mounting RC001-1D on wall

### Application



### Specifications

<b>Dimension</b>	158x64x200mm(WxHxD)
<b>Power Supply</b>	AC 100~240V, 50/60Hz DC -36V~-72V
<b>Power Consumption</b>	less than or equal to 15W
<b>Working Temperature</b>	-5~55 degree Celsius
<b>Humidity</b>	5%~95%
<b>Storing Temperature</b>	-40~70 degree Celsius

### Compliance

<b>Standards</b>	CE and UL
------------------	-----------



### Service Modules in RC001-1D

<b>Ethernet to E1 Interface Converters</b>	RC954-FE(FX)4E1, RC954-2FE4E1-BL, RC954-2FE8E1-BL
<b>PDH Multiplexer</b>	RC832-120L, RC832-240L(-BL)
<b>Multi-Service PDH Multiplexer</b>	RCMS2802-120GE-BL, RCMS2802-240GE-BL, RCMS2802-480GE-BL, RCMS2802-120LFE(-BL), RCMS2802-240LFE(-BL), RCMS2802-120LGE(-BL), RCMS2802-240LGE(-BL)

Raisecom Technology Co., Ltd.  
**International Headquarters**  
 Building 2, No.28 of the Shangdi 6th Street, Haidian District, Beijing, 100085 China  
 Tel: +86 10 82883305  
 Fax: +86 10 82883056  
 Email: export@raisecom.com

**U.S.A Headquarters**  
 19337 US 19 North, Suite 306, Clearwater, Florida, 33764, USA.  
 Tel: +1 888 816 4808  
 Fax: +1 727 547 9124  
 Email: sales@raisecomusa.com

Copyright©1999-2011  
 All rights reserved  
 Technical information is subjected to change without notice