

# I/O Controller

## Full RS-232/485 serial port, 8DI and 8 DO over Ethernet

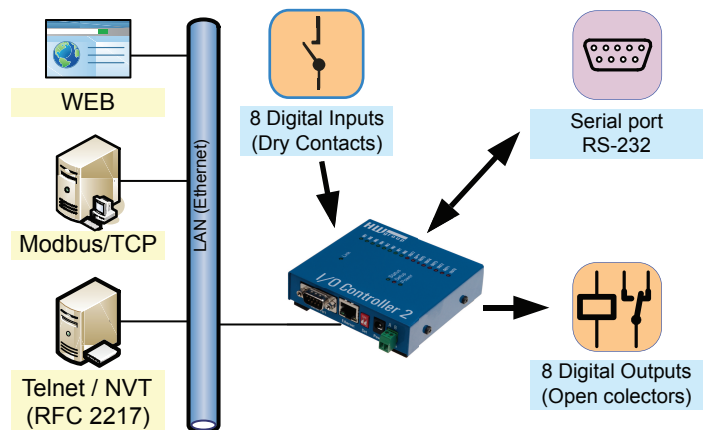
I/O Controller version 2 connects a full RS-232/485 serial port and digital I/O to the Ethernet. The serial port can be used as a terminal server (virtual serial port).

DO (Digital Outputs) and DI (Digital Inputs) can be controlled over the Web or over Modbus/TCP.

Serial port and I/O can be controlled with a TELNET-like (RFC2217) M2M protocol. For testing, use the Hercules SW terminal

The Box-2-Box mode can “tunnel” the I/O and the serial port over the LAN between two devices. Pressing a button at unit A activates an output at unit B.

NEW: Connect digital inputs at one unit (A) to digital outputs at multiple other units (B, C, D, ...).



## Applications

- **Remote serial port** – connect a generic RS-232 device over LAN.
- **Link up to eight buttons with a SW application over the network.**
- Control a gate, a horn, or an alarm signal using the outputs that can be boosted with external relays.
- **Connect a RFID/barcode reader + digital I/O** for logistics and manufacturing control applications.

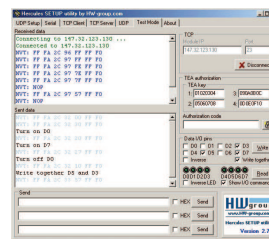
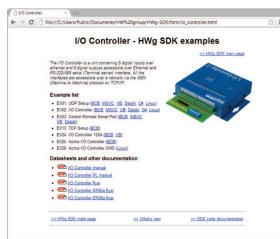
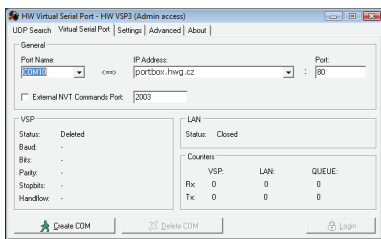
- ✓ Full RS-232 serial port
- ✓ 8x Digital Input / 8x Digital Output
- ✓ Virtual Serial Port for Windows
- ✓ Box-2-Box mode
- ✓ I/O control over Modbus/TCP
- ✓ WEB interface

## Basic features

- Full serial port RS-232 (9 wires)
- Web-based configuration
- I/O can be controlled over Modbus/TCP
- Free virtual serial port for Windows (redirects e.g. COM27 at the PC over the network).
- The virtual serial port (HW VSP) supports all serial port signals and up to 100 remote serial ports. Extended Windows support, can run as a "NT service".
- HWg-SDK for programmers (contains examples of using the product in Borland C++ Builder, MS Visual C, VB, Delphi, C#, PHP, JAVA)
- I/O Controller 2 is fully software and hardware compatible with I/O Controller PL.
- Box-2-Box mode:  
One unit connected with one unit (Serial + I/O).  
One unit connected to multiple units (I/O).

## I/O controller 2

<b>Ethernet</b>	100 Mbit/s
<b>IP protocols</b>	ARP, UDP/IP, TCP/IP (HTTP, Telnet + RFC2217, Modbus/TCP)
<b>Digital inputs</b>	ARP, UDP/IP, TCP/IP (HTTP, Telnet + RFC2217, Modbus/TCP)
<b>Digital Outputs</b>	8x transistor
<b>RS-232</b>	Cannon DB9M (Rx/D, Tx/D, CTS, RTS, DSR, DTR, RI, CD, GND)
<b>RS-485</b>	Terminals
<b>Power</b>	8-30V / 0.25 A
<b>Dimensions</b>	105 x 105 x 25 [mm]
<b>Operating conditions</b>	-10°C to +75°C +14°C to +167°F



## Accessories and related products



PortBox 2



IP WatchDog



IP Relay



DIN Rail box set

### I/O controller 2 SET

Product quick start set – 8 digital inputs, 8 digital outputs + RS-232/485 to the Ethernet. Contains a CD, a power adapter and a test board.

### DIN Rail box set

DIN rail mounting bracket.

### PortBox 2 SET

Product quick start set – RS-232/485 to the Ethernet. Contains a CD and a power adapter.

### IP WatchDog HWg-WR02a SET

Quick start set of an industrial watchdog (supports RS-232) Contains a power adapter and a CD.

### IP Relay HWg-ER02a SET

Product – 2x relay (230V/16A) + RS-232/485 to the Ethernet. Contains a CD and a power adapter.